



Compressor Selection: 2-stage Semi-hermetic Reciprocating Compressors

Input Values

Compressor model	S4G-12.2Y	Suction gas temperature	20,00 °C
Refrigerant	R404A	Useful superheat	100%
Reference temperature	Dew point temp.	Power supply	400V-3-50Hz
Operating mode	with sub cooler		

Result

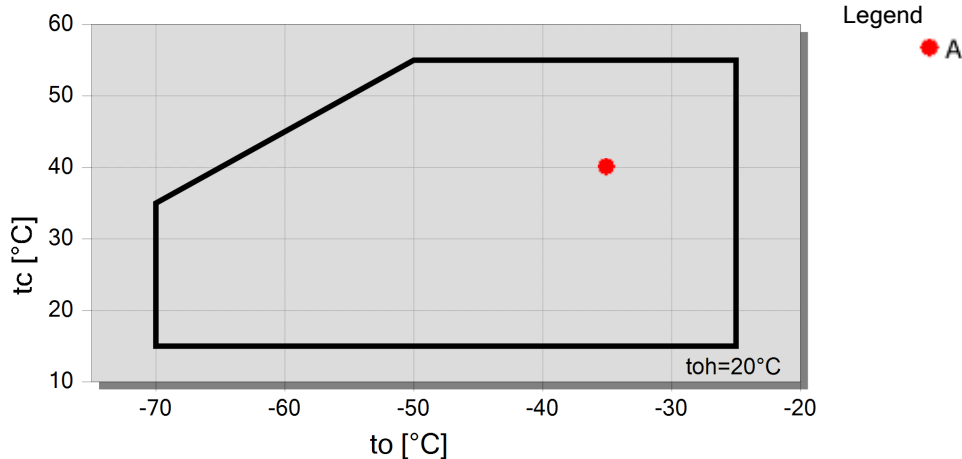
Q [W]	Cooling capacity	COP [-]	COP/EER
Q* [W]	Cooling capacity *	COP* [-]	COP/EER *
P [kW]	Power input	mLP [kg/h]	Mass flow LP
I [A]	Current	pm [bar(a)]	Intermed. pressure
Qc [W]	Condenser Capacity		

tc	to	-20°C	-25°C	-30°C	-35°C	-40°C	-45°C	-50°C	-55°C
30°C	Q [W]	--	19482	16825	14267	11853	9639	7672	5979
	Q* [W]	--	15857	13269	10913	8803	6959	5391	4094
	P [kW]	--	9,74	9,06	8,35	7,61	6,85	6,10	5,35
	I [A]	--	16,99	16,09	15,14	14,19	13,26	12,36	11,53
	Qc [W]	--	29222	25889	22616	19462	16493	13768	11326
	COP [-]	--	2,00	1,86	1,71	1,56	1,41	1,26	1,12
	COP* [-]	--	1,63	1,46	1,31	1,16	1,02	0,88	0,77
	mLP [kg/h]	--	386	321	263	212	166,8	128,9	97,7
	pm [bar(a)]	--	5,49	4,81	4,20	3,65	3,15	2,70	2,31
	40°C	Q [W]	--	18913	16222	13680	11331	9215	7356
Q* [W]		--	14161	11758	9605	7714	6089	4724	3596
P [kW]		--	11,05	10,23	9,37	8,49	7,60	6,72	5,85
I [A]		--	18,79	17,66	16,50	15,33	14,19	13,09	12,08
Qc [W]		--	29959	26450	23053	19824	16819	14074	11603
COP [-]		--	1,71	1,59	1,46	1,33	1,21	1,10	0,98
COP* [-]		--	1,28	1,15	1,02	0,91	0,80	0,70	0,61
mLP [kg/h]		--	387	320	260	208	163,5	126,5	96,1
pm [bar(a)]		--	6,08	5,36	4,69	4,09	3,54	3,05	2,62
50°C		Q [W]	--	18060	15463	13046	10837	8855	7093
	Q* [W]	--	12175	10080	8226	6614	5236	4069	3082
	P [kW]	--	12,32	11,40	10,44	9,44	8,42	7,41	6,41
	I [A]	--	20,6	19,29	17,94	16,59	15,24	13,94	12,72
	Qc [W]	--	30381	26867	23483	20275	17276	14499	11938
	COP [-]	--	1,47	1,36	1,25	1,15	1,05	0,96	0,86
	COP* [-]	--	0,99	0,88	0,79	0,70	0,62	0,55	0,48
	mLP [kg/h]	--	383	315	256	205	161,6	125,2	94,6
	pm [bar(a)]	--	6,78	5,99	5,27	4,61	4,01	3,47	3,00

-- No calculation possible (see message in single point selection)

*According to EN12900 (20°C suction gas temp., 0K liquid subcooling)

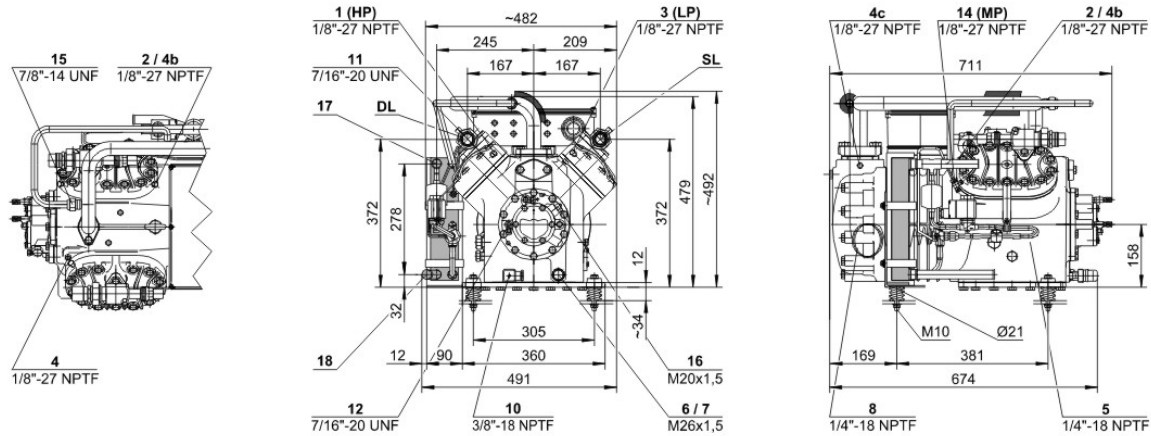
Application Limits





Technical Data: S4G-12.2Y

Dimensions and Connections



Technical Data

Technical Data

Displacement (1450 RPM 50Hz)	42.30 / 27.00 m ³ /h
Displacement (1750 RPM 60Hz)	51.05 / 32.59 m ³ /h
No. of cylinder x bore LP/HP x stroke	4 x 75/ 60 mm x 55 mm
Weight	180 kg
Max. pressure (LP/MP/HP)	19 / 19 / 28 bar
Connection suction line	35 mm - 1 3/8"
Connection discharge line	28 mm - 1 1/8"
Oil type R404A/R507A	BSE32 (Option)
Oil type R22	B5.2 (Standard)

Motor data

Motor voltage (more on request)	380-420V PW-3-50Hz
Max operating current	24.0 A
Winding ratio	50/50
Starting current (Rotor locked)	69.0 A Y / 113.0 A YY
Max. Power input	13,8 kW

Extent of delivery (Standard)

Motor protection	SE-B2 (Standard)
Enclosure class	IP54 (Standard), IP66 (Option)
Vibration dampers	Standard
TX valve for liquid injection	Standard
Sight glass	Standard
Filter Drier	Standard
Solenoid valve	Standard
Oil charge	4.50 dm ³

Available Options

Crankcase heater	140 W (Option)
Oil pressure monitoring	MP54 (Option), Delta P II (Option)
Oil service valve	Option
Discharge gas temperature sensor	Option
CIC (only for R22, instead of TX valve for LI)	Option
Liquid sub cooler (also mounted)	Option